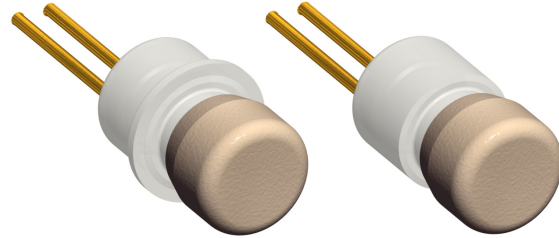


### Features

- ☉ Detent function
- ☉ Very small dimensions, Ø 1.9 mm [0.075"]
- ☉ With or without flange
- ☉ Different plastic colors available



### Contents

	Page
History Revision .....	2
Mechanical Specifications .....	3
Electrical Specifications .....	4
Switching Diagram.....	4
Material Specifications .....	4
Environmental Conditions .....	4
Recommended Processing Conditions.....	5
Mechanical Dimensions.....	5
Housing Styles .....	6
Knob Style .....	7
Knob Plastic Colors .....	7
Terminal Length.....	7
Product Specification Form .....	8

Sonion reserves the right to make changes at any time to improve reliability, function or design, in order to provide the best product possible.

### History Revision

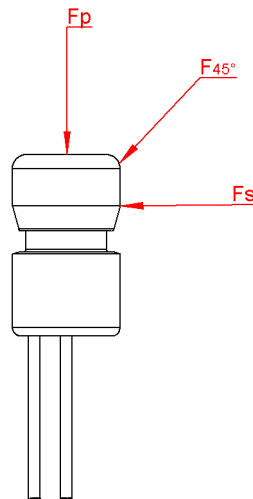
Revision Number/Date	Change from last revision
001/JUL-06-2010	History Revision added.

### Mechanical Specifications

Switch travel .....	0.25±0.1 mm
Switch activating force .....	Min. 0.5 N, Max. 1.25 N
Knob retention force.....	Min. 15 N
Lifetime .....	Min. 15,000 cycles
Bending of terminals .....	Min. 3 bending cycles 90° with 0.25 N load
Durability of switch button:	
- Fp, continuously (normal use) .....	Max. 5 N
- Fp, max. 20 cycles .....	Max. 10 N
- F45°, 20 cycles .....	Max. 5 N
- Fs, max. 20 cycles.....	Max. 5 N
Durability of solder terminals.....	Min. 4 N pull strength

#### Definition of knob shear and knob pull strength forces:

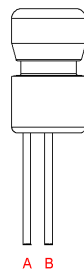
From top of knob to shear force attack point: 0.75 mm



### Electrical Specifications

Switch contact resistance.....	Max. 150 mΩ
Switch insulation resistance .....	Min. 1 MΩ
Bounce time.....	Max 20 ms
Switching current.....	Max. 10 mA
Continuous current.....	Max. 100 mA

### Switching Diagram



### Material Specifications

**All materials comply with RoHS directive (2002/95/EC)**



Switch Terminals .....	Ag, gold flash plated
Housing .....	PA 6.6, glass reinforced
Knob .....	POM
Base.....	PEEK

**Lubricant, glue / seal, and paint specifications are proprietary information.**

### Environmental Conditions

Storage temperature .....	-40 to +60°C
Storage humidity .....	10 to 95% RH

### Recommended Processing Conditions

#### Gluing:

Types of glue ..... Cyanoacrylate (non-blooming), i.e. Loctite 408, 460 and Sicomet 50, 63, 77

**Non-blooming types must be used to ensure that residuals from the curing process do not degrade the component.**

#### Soldering:

Soldering temperature and time ..... Max. 300°C [572°F] for 3 s  
or 350°C [662°F] for 1 s

Soldering distance ..... Min. 0.3 mm [0.012"] from housing

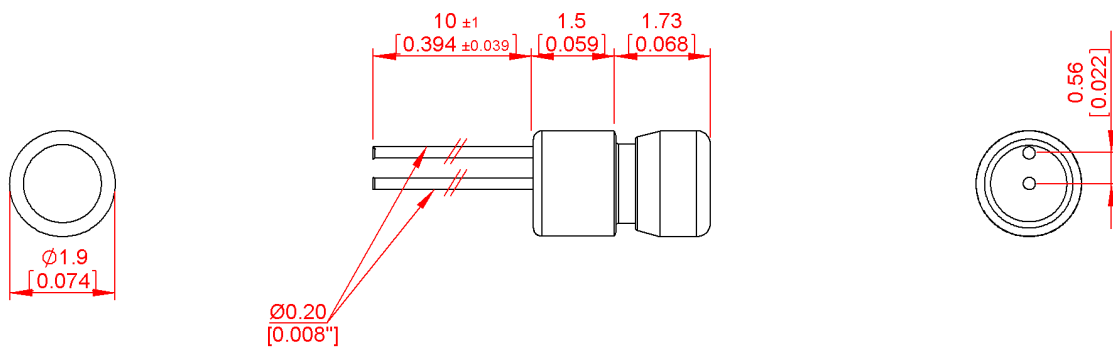
**Exceeding temperature, time and distance recommendations may damage the component. Mechanical stress on soldering terminals must be avoided during soldering.**

#### Cleaning:

Cleaning solvents ..... Aqua wash (Alpha 2110), Benzine

**Ultrasonic cleaning must be avoided as it may remove the lubricant inside the component.**

### Mechanical Dimensions

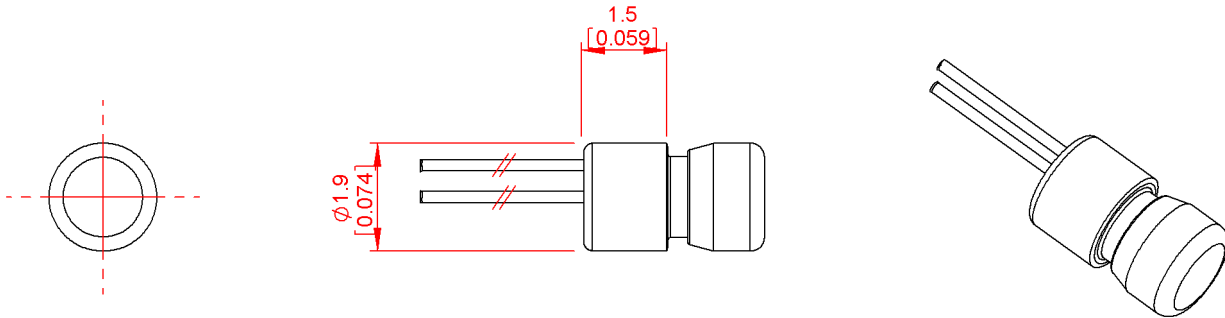


#### Note:

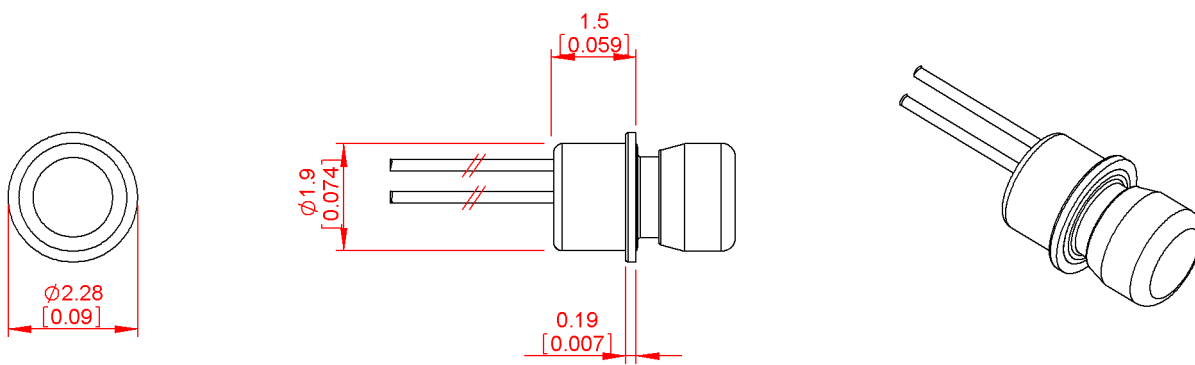
The standard measurement tolerance on the drawings is  $\pm 0.05$  mm/[0.002"]. Tolerances which differ from this value will be indicated on the drawings.

### Housing Styles

No. 01

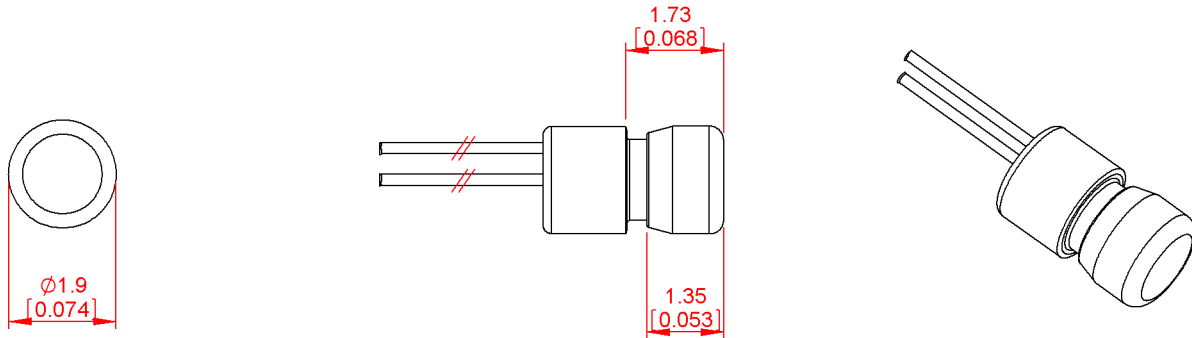


No. 02



### Knob Style

No. 01

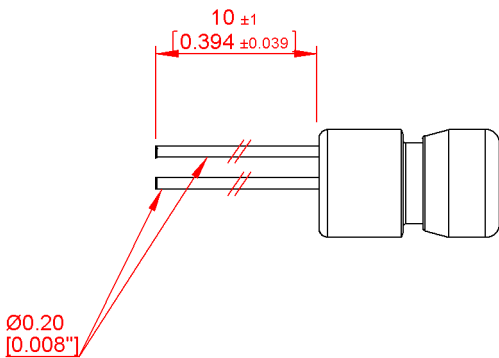


### Knob Plastic Colors

Please refer to the series 500 in the Sonion 'Plastic Color Assortment' binder for knob plastic colors.

### Terminal Length

10 mm



### Product Specification Form

Name: \_\_\_\_\_

Company: \_\_\_\_\_

Customer Part No.: \_\_\_\_\_

Parameters	Look at Page	Enter your choices	Guidelines
Model	1	PB 100 Click	
Housing Styles	6		Please enter no. 01 or 02
Housing Colors			Housing Style no. 01 available in color no. 100 Housing Style no. 02 available in color nos. 100 and 131
Knob Style	7	No. 01	
Knob Colors	7		Please refer to the series 500 included in the Sonion 'Plastic Color Assortment' binder
Terminal Length	7	10 mm	