

Data Sheet

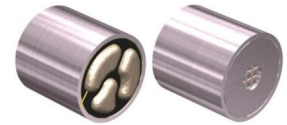


microphone 8046B

3800 - 3025191
Version: 1 07-JAN-2011

Description

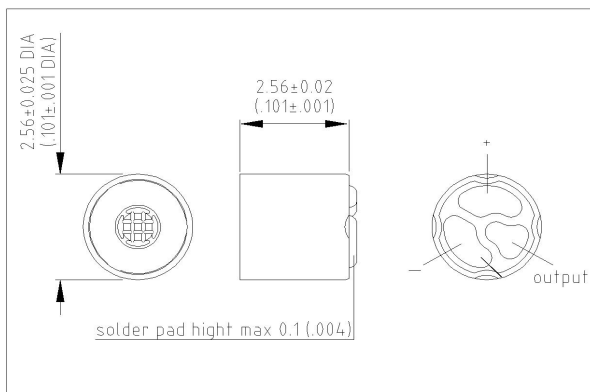
Miniature electret condenser microphone for hearing instruments.



Features

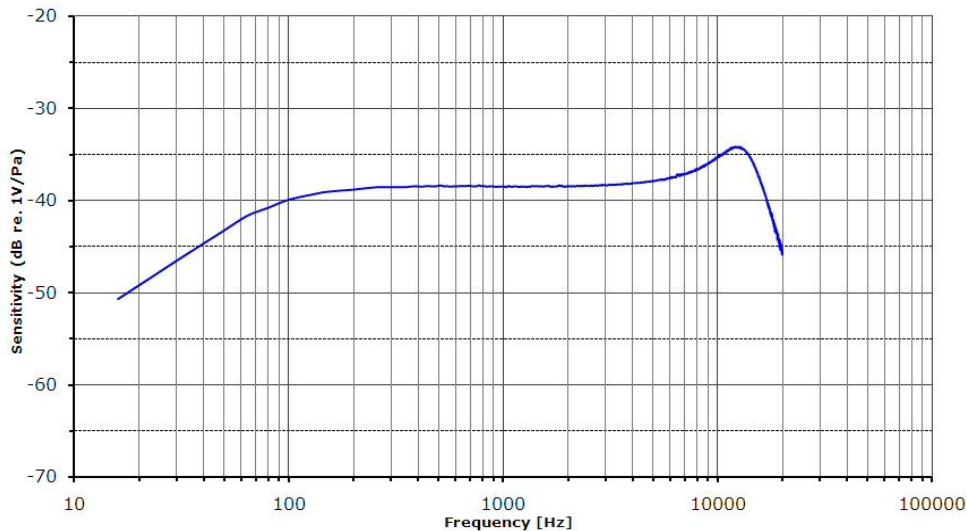
- Reduced size
- Improved solderability
- Lower solderpads

Dimensions in mm (inch)



Typical response curve

Refer to specifications section for measurement conditions.



Sonion reserves the right to make changes at any time to improve reliability, function or design, in order to provide the best product possible.

Data Sheet



microphone 8046B

3800 - 3025191

Version: 1 07-JAN-2011

Specification

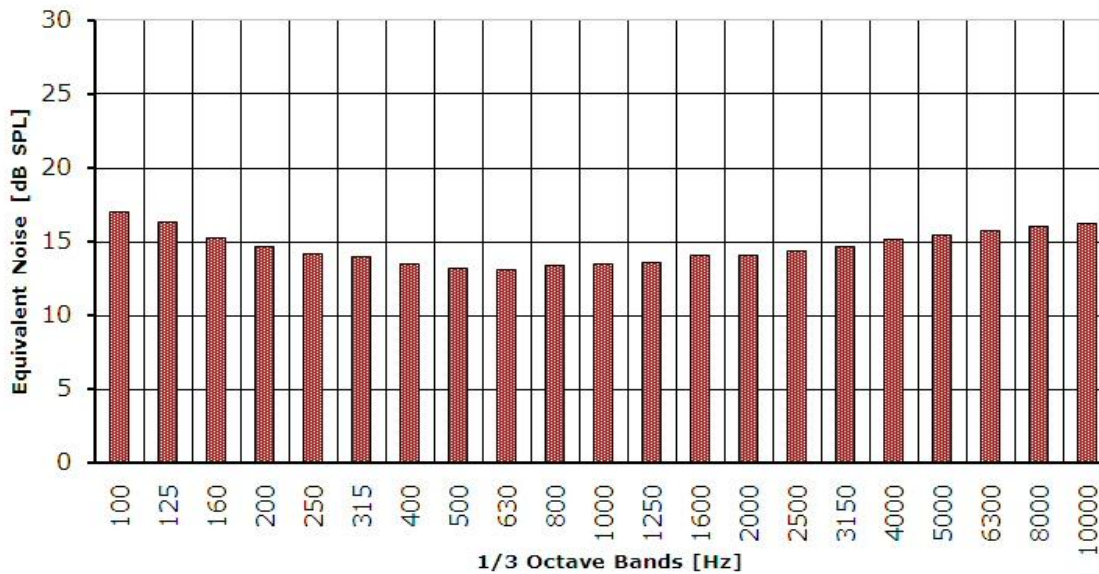
All parameters are specified at 6.5V supply voltage in series with 2 MΩ, unless specified otherwise.

Environmental conditions: 23 °C, 50 %RH.

Parameters	Mn	Typ	Max	Unit	Comments	
Sensitivity	@ 50 Hz	-5	-3	-1	dB	re. 1 kHz value
	@ 1 kHz	-41.5	-38.5	-35.5	dB	re. 1V per Pascal
	@ 11.5 kHz	1.5	4.5	7.5	dB	re. 1 kHz value
Peak frequency		11.5		kHz	Approx.	
Equivalent noise (A-weighted)		28	31	dB SPL		
Power supply feedthrough		-12	-10	dB		
Battery drain		3		μA		
Output impedance	10	20	40	kΩ		
Input-referred vibration sensitivity		67		dB SPL/g	1 kHz ref. acc. in axial direction	
Humidity coefficient of sensitivity		0.03		dB/%RH		
Input-referred EM noise	0.8-0.96 GHz			30	dB SPL	according SM 255, E=75 V/m
	1.8-2.0 GHz			30	dB SPL	according SM 255, E=75 V/m
	1.4-2.0 GHz			30	dB SPL	according SM 255, E=50 V/m
Operating temperature range	-17	23	63	°C		
Storage temperature range	-40		63	°C		

ESD protection level: Class 3 according to ML-STD-750D, test method 1020.2. Apply protection in accordance with IEC 61340-5-1 and 61340-5-2.

Typical 1/3 octave equivalent noise



Sonion reserves the right to make changes at any time to improve reliability, function or design, in order to provide the best product possible.